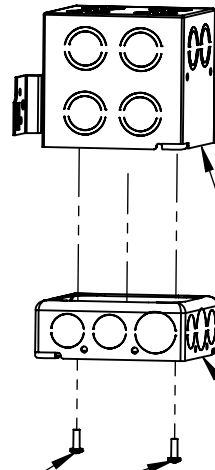


2

**STEP 1**

ASSEMBLE J-BOXES AS SHOWN IF REQUIRED  
MINIMUM REQUIRED J-BOX IS 3-3/4" X 3-3/4" X 3-1/2" DEEP.



**HARDWARE BY OTHERS**

**J-BOXES SUPPLIED BY OTHERS.**

RECOMMENDED  
RACO PN# 255  
W BRACKET  
OR  
RACO PN# 256  
W/O BRACKET

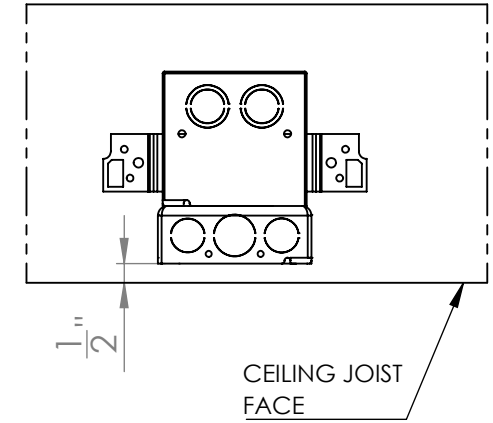
ALSO SHOWN IS  
RACO PN# 201  
1-1/2" EXTENSION  
BOX WHICH MAYBE  
REQUIRED BASED  
ON NUMBER OF POSSIBLE  
BRANCH CIRCUITS

1

**STEP 2**

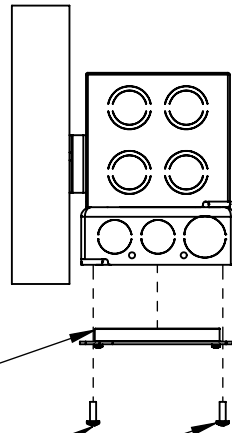
MOUNT J-BOX TO CEILING JOIST OR HANGER BARS 1/2" BACK FROM FACE OF CEILING JOIST AS SHOWN. THEN PROCEED WITH ELECTRICAL ROUGH IN.

**4505-LED-SH**



**STEP 3**

AFTER ROUGH IN, INSTALL J-BOX ADAPTER. VERIFY ENOUGH WIRE HAS BEEN LEFT TO ALLOW ELECTRICAL CONNECTIONS TO LUMENAIRE TO BE MADE BELOW FINISHED CEILING.



\*COLLAR IS TO FACE UP

**HARWARE BY OTHERS**

**STEP 4**

INSTALL THREADED FIXTURE RECEIVER INTO J-BOX ADAPTER. THREAD ADAPTER IN TILL LIGHTLY BOTTOMED, THEN LOOSEN ONE FULL TURN AS SHOWN IN FIG. 4.1

**!! THIS STEP MUST BE COMPLETED BEFORE FINISHED CEILING IS INSTALLED !!**

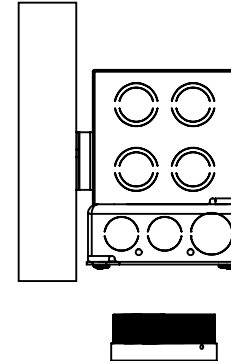
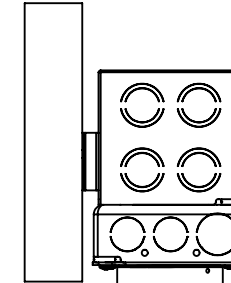


FIG. 4.1



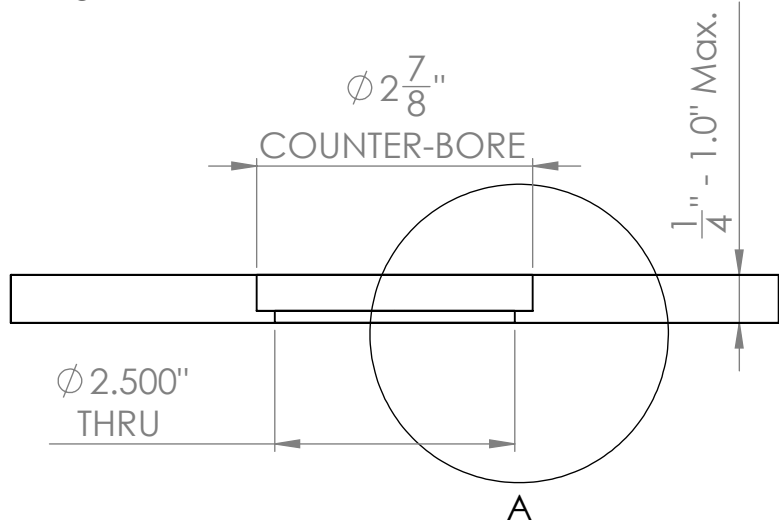
PROCEED TO PAGE 2 TO CONTINUE INSTALLATION

2

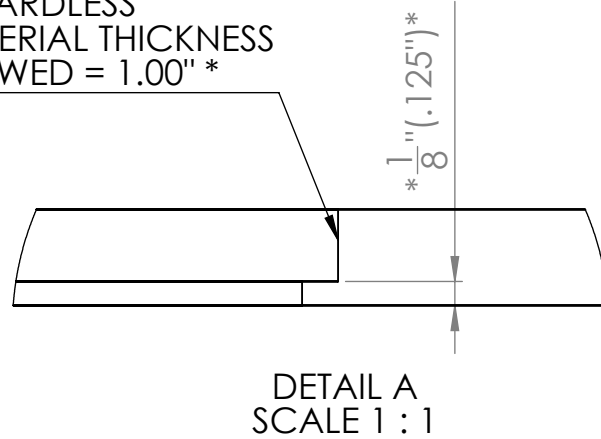
1

# ATTENTION !!

CEILING PANEL/MILLWORK  
DETAIL MUST BE COMPLETED BEFORE  
ATTEMPTING CEILING INSTALLATION  
PLEASE REFER TO MILLWORK DETAIL  
BELOW

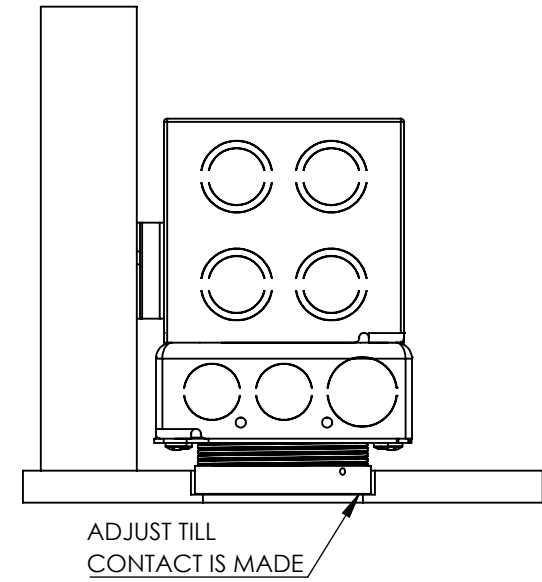


\*2-7/8" COUNTER-BORE MUST  
EXTEND DOWN TO CREATE  
1/8" FLOOR REGARDLESS  
OF CEILING MATERIAL THICKNESS  
MAXIMUM ALLOWED = 1.00" \*



## STEP 5

INSTALL CEILING PANELS/  
MILLWORK ADJUST FIXTURE  
RECEIVER TILL CONTACT IS  
MADE WITH FLOOR IN BOTTOM  
OF COUNTER-BORE. VERIFY  
THAT CUTOUT IS CENTERED.



## STEP 6

CONNECT WIRE LEADS  
BLACK=LINE  
WHITE=NEUTRAL  
GREEN=GROUND  
PURPLE= DIM+  
GRAY= DIM-  
INSTALL LUMENAIRE  
INTO RECEIVER. LINE  
UP GROOVES WITH  
MATING TAB IN RE-  
CEIVER. 1) PUSH UP TILL  
STOPS AND 2) TURN TO LEFT  
TO LATCH AND 3) ALLOW  
BASE TO BECOME FLUSH  
WITH CEILING.

